

# equipment list

Heller\_Dynam\_Bed\_2L2C

device tag	number	denomination	Type	Manufacturer	Heller no.
+H1-300.1	1	cooling unit	ERK10W-PWT-R134a Heller-UL 400V 50Hz, 460V 60Hz 5,2kW	BKW	01.112899
+EC-300.2	1	control cabinet cooling			
+EC-300.3	1	control cabinet cooling			
+MC-300.5	1	adapter flange		Heller Maschinenfabrik	
+MC-300.9	1	control valve	223.1209.000 DN15 3-12 l/min	Taconova	01.100682
+MU-300.20	1	plastic pipe	PA 12x1,5 1 820 712 103	AVENTICS	01.093304
+MU-300.21	1	plastic pipe	PA 12x1,5 1 820 712 103	AVENTICS	01.093304
+MC-300.30	1	hose line	DIN 20066-2SC 10 -NN-2350-P 462-6-2350	Parker	01.104632
+MC-300.31	1	hose line	DIN 20066-2SC 10 -NN-2350-P 462-6-2350	Parker	01.104632
+MU-310.1	1	directional control valve	SGH130A-30G10Y-5WZ G3/8 30bar M12x1	SMC	01.102730
+MU-310.2	1	plastic pipe	PA 8x1 1 820 712 102	AVENTICS	01.093303
	1	check valve	RHD12LOMD-CF	Parker	01.002260

Änderungen nur im CAD-Original!  
 Changes in CAD only!  
 Mudanças no original CAD somente!

© Copyright reserved - Gebr. HELLER Maschinenfabrik GmbH, D-72822 Nürtingen  
 Schutzvermerk nach DIN 34 beachten!  
 Attention! Observe DIN 34  
 Atenção! Atente DIN 34

← &L+M/1

+H1/1 →

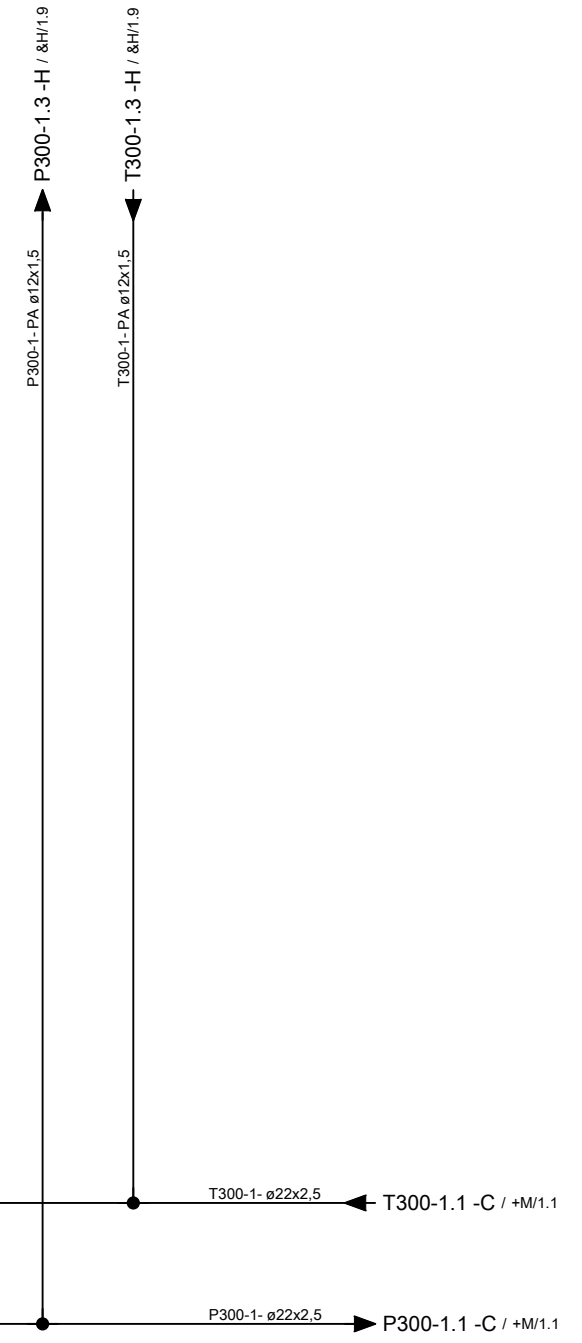
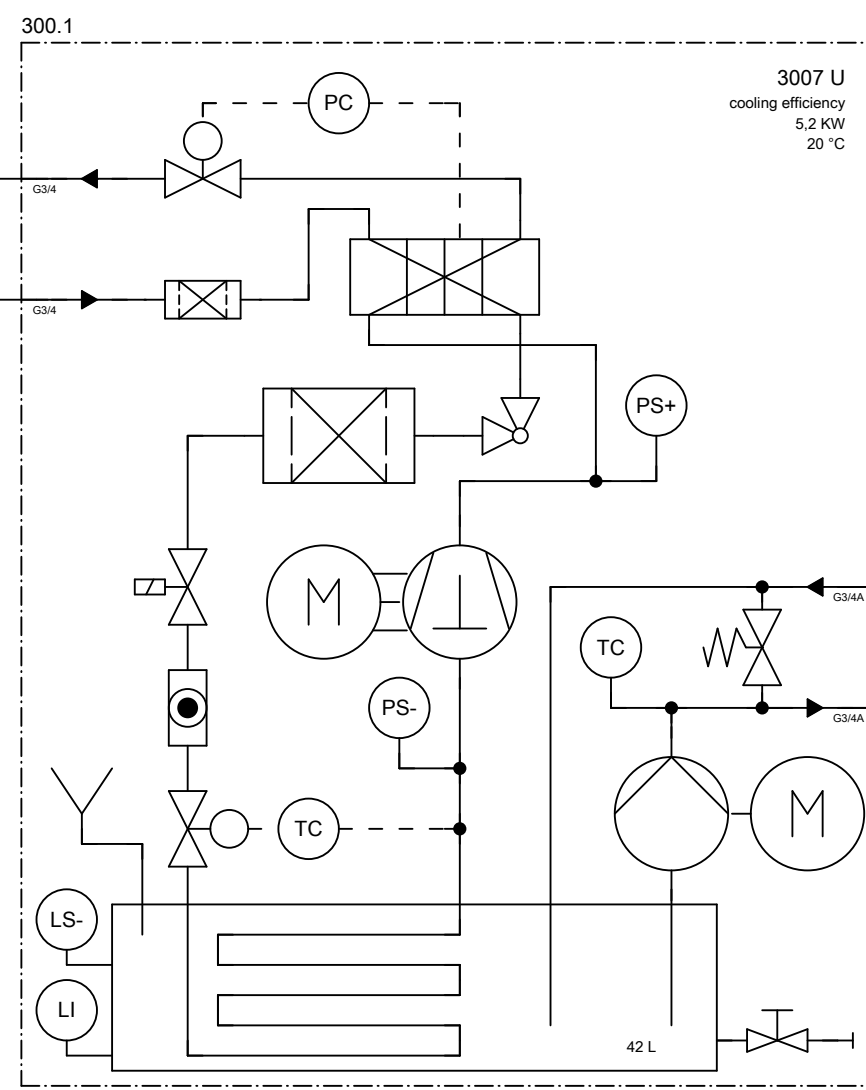
ART DER AENDERUNG/REVISION/DESCRIÇÃO DE ALTERAÇÃO		Index	ZONE/ZONA	DATUM/DATE	NAME/NOME	PROJ./PROJ/ PROJ.	<div style="text-align: center; font-weight: bold; font-size: 1.2em;">HELLER</div> KUNDE/CUSTOMER/CLIENTE Paccar, Columbus USA	PLAN/PLAN/PLANO
CAD-System		URSPPR./ORIG.	GEPR./CHECK./REG.			M-NR/M-NO/ M-NO		project
ePLAN 2.2.5		ERS./REP.	BEARB./CHG./ALT.	29.09.2016	AHFE/ZAJ	M54793		Machine
		ERS.D./REP.W.	GEZ./DRAWN/DES.	29.09.2016	AHFE/ZAJ	H 10000 PC		Document type
						BENENNUNG/NAME/DENOMINAÇÃO	INV-NR/INV-NO/NO-INV	&C cooling water diagram
						Device tag list cooling water		Mounting position
								Page name
								0

+M/1.5  
300  
machine cooling system

Seamless precision steel pipe acc. to DIN ISO 10763 E235+N, galvanised, chromium6-free  
Parker screw connections, type EO-2 Plus, chromium6-free, male stud connector with soft seal acc. to ISO 1179-2 type E  
Parker 2SC-462 hose acc. to ISO 11237-1 EN 857, hose fitting acc. to DIN ISO 12151-2, CA form

reservoir capacity 42 L  
process medium Demineralised water with anti-corrosion agent  
mixing ratio see plates on cooling unit

cooling water provided by customer  
max. 35°C



Änderungen nur im CAD-Original!  
Changes in CAD only!  
Mudanças no original CAD somente!

© Copyright reserved - Gebr. HELLER Maschinenfabrik GmbH, D-72822 Nürtingen  
Schutzvermerk nach DIN 34 beachten!  
Attention! Observe DIN 34  
Atenção! Atenção DIN 34

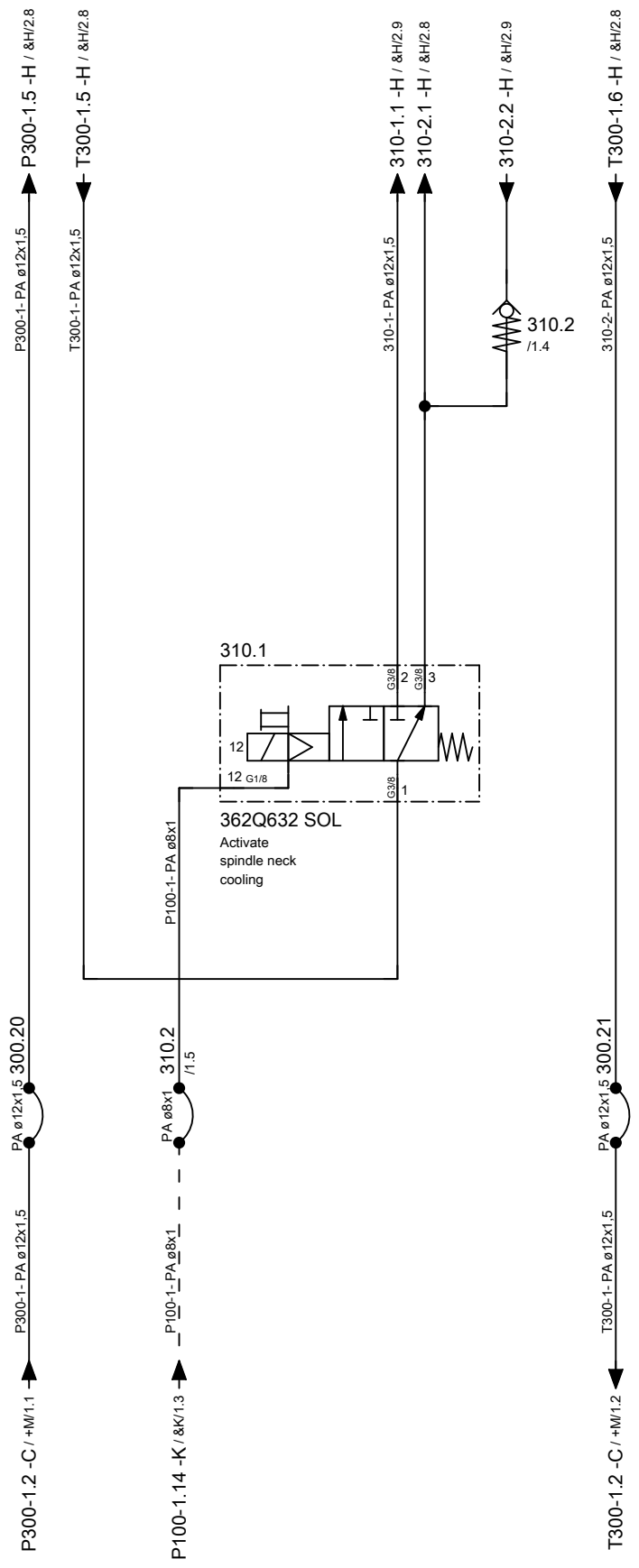
				PROJ./PROJ./PROJ. 54793.00	<b>HELLER</b>	KUNDE/CUSTOMER/CLIENTE Paccar, Columbus USA	PLAN/PLAN/PLANO project MP.05479300_F
				M-NR./M-NO/ M-NO M54793		BENENNUNG/NAME/DENOMINAÇÃO cooling water diagram	INV-NR./INV-NO/NO-INV 01.106964
ART DER AENDERUNG/REVISION/DESCRIÇÃO DE ALTERAÇÃO	Index	ZONE/ZONA	DATUM/DATE	NAME/NOME			Document type &C cooling water diagram
CAD-System ePLAN 2.2.5	URSPR./ORIG.	GEPR./CHECK./REG.			TYP./TYPE/ TIPO H 10000 PC		Mounting position +H1 HELP1
	ERS./REP.	BEARB./CHG./ALT.	26.08.2016	AHFE/ZAJ	WERKSTÜCK/ PART/PEÇA		Page name 1
	ERS.D./REP.W.	GEZ./DRAWN/DES.	09.09.2015	AHFE/HOP			

Heller\_2L

Änderungen nur im CAD-Original!  
Changes in CAD only!  
Mudanças no original CAD somente!

© Copyright reserved - Gebr. HELLER Maschinenfabrik GmbH, D-72622 Nürtingen  
Schutzvermerk nach DIN 34 beachten!  
Attention! Observe DIN 34  
Atenção! Atenção DIN 34

310  
Spindle  
neck cooling



← +H1/1

+M/1 →

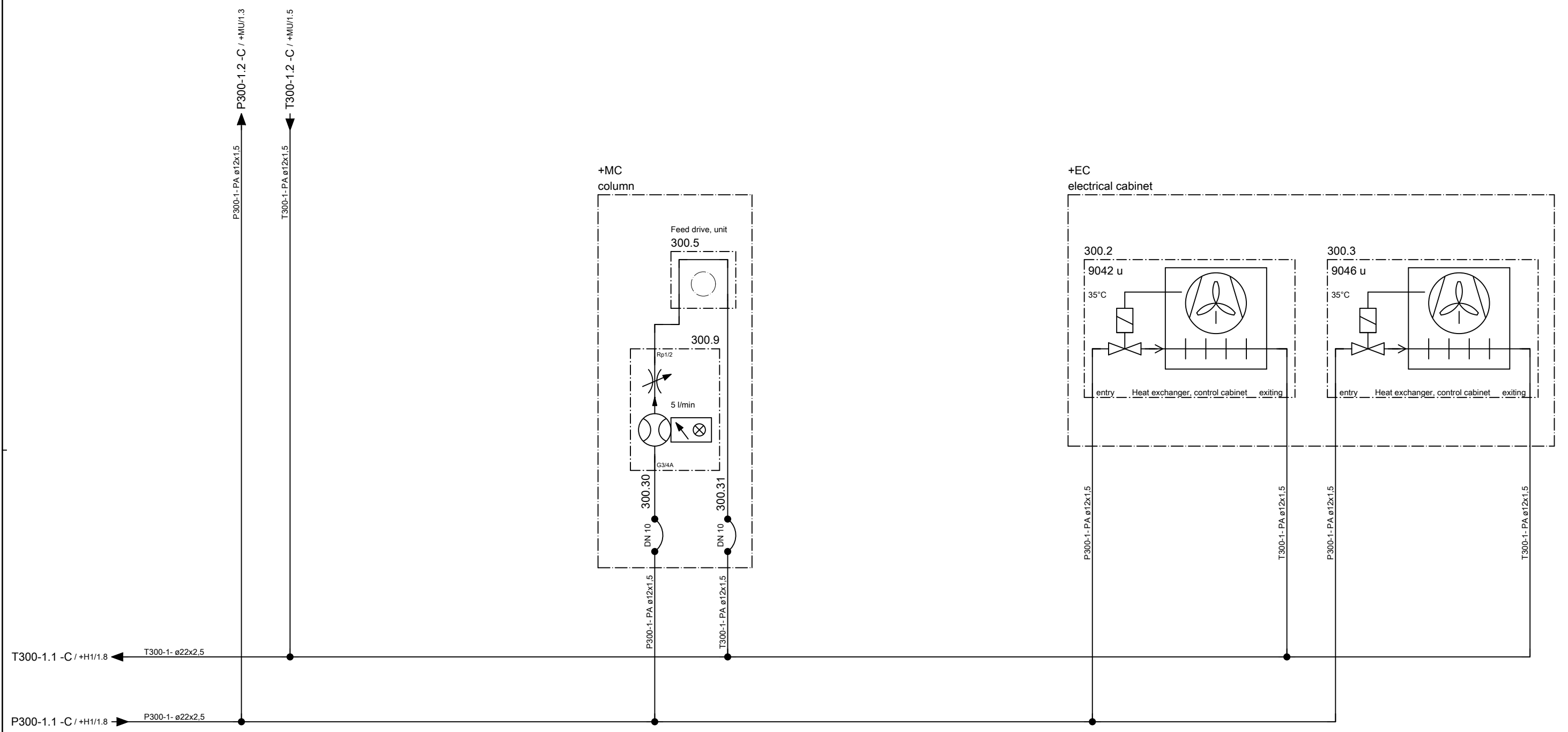
ART DER AENDERUNG/REVISION/DESCRIÇÃO DE ALTERAÇÃO		Index	ZONE/ZONA	DATUM/DATE	NAME/NOME	PROJ./PROJ./PROJ.	<p><b>HELLER</b></p>	KUNDE/CUSTOMER/CLIENTE	PLAN/PLAN/PLANO
CAD-System		URSPR./ORIG.	GEPR./CHECK./REG.			M-NR/M-NO/ M-NO		Paccar, Columbus USA	project
ePLAN 2.2.5		ERS./REP.	BEARB./CHG./ALT.	26.08.2016	AHFE/ZAJ	M54793	cooling water diagram	Machine	=M54793
		ERS.D./REP.W.	GEZ./DRAWN/DES.	09.09.2015	AHFE/HOP	H 10000 PC		BENENNUNG/NAME/DENOMINAÇÃO	Document type
								Mounting position	+MU unit
								Page name	1

Heller\_2L

Änderungen nur im CAD-Original!  
Changes in CAD only!  
Mudanças no original CAD somente!

© Copyright reserved - Gebr. HELLER Maschinenfabrik GmbH, D-72822 Nürtingen  
Schutzvermerk nach DIN 34 beachten!  
Attention! Observe DIN 34  
Atenção! Atenção DIN 34

+H1/1.4  
300  
machine cooling system



← +MU/1

&K+0 →

ART DER AENDERUNG/REVISION/DESCRIÇÃO DE ALTERAÇÃO				Index	ZONE/ZONA	DATUM/DATE	NAME/NOME	PROJ./PROJ. PROJ.	54793.00	<b>HELLER</b>	KUNDE/CUSTOMER/CLIENTE	PLAN/PLAN/PLANO		
CAD-System				URSPR./ORIG.	GEPR./CHECK./REG.			M-NR/M-NO/ M-NO	M54793		Paccar, Columbus USA	project	MP.05479300_F	
ePLAN 2.2.5				ERS./REP.	BEARB./CHG./ALT.	26.08.2016	AHFE/ZAJ	TYP/TYPE/ TIPO	H 10000 PC			Machine	=M54793	
				ERS.D./REP.W.	GEZ./DRAWN/DES.	09.09.2015	AHFE/HOP	WERKSTÜCK/ PART/PEÇA			BENENNUNG/NAME/DENOMINAÇÃO	cooling water diagram	Document type	&C
											INV-NR/INV-NO/NO-INV	machine	Mounting position	+M
												Page name	1	